



Radial duct fans

Ventilateurs centrifuges

Radial Ventilatoren

Центробежные вентиляторы



Centrifugal fans for ventilation and air conditioning systems. Used for air supply. Not suitable for polluted air, aggressive and explosive gases.

Impeller with forward curved blades made of galvanized steel.

Motor: external rotor, motor protection built-in thermal-contact, free-maintenance ball bearings.

Housing: made of galvanized steel.



Zentrifugalventilatoren, für Lüftungs- und Klimaanlage bestimmt. Sie werden für Zuluft verwendet. Nicht geeignet für die Beförderung von verschmutzter Luft, aggressiven, explosiven Gasen.

Laufgrad ist vorwärts gekrümmt, aus verzinktem Stahl.

Der Motor: Außenrotor, Direktantrieb, integrierter Thermokontakt-Motorschutz, dauerhafte, keine Pflege erfordernde Lager.

Das Gehäuse: aus verzinktem Blech.



Ventilateurs centrifuges destinés aux systèmes de ventilation et de climatisation. Utilisation en apport d'air neuf. Le produit n'est pas adapté au transport d'air fortement pollué, de gaz agressifs ou explosifs.

Turbine : action (pales incurvées vers l'avant).

Moteur : rotor extérieur, entraînement direct, protection moteur intégrée par thermocontact, roulements à longue durée de vie et ne nécessitant pas d'entretien.

Enveloppe : tôle d'acier galvanisée.



Центробежные вентиляторы для систем вентиляции и кондиционирования. Эксплуатируются в целях подачи воздуха. Не используются при транспортировке загрязнённого воздуха, агрессивных, взрывоопасных газов

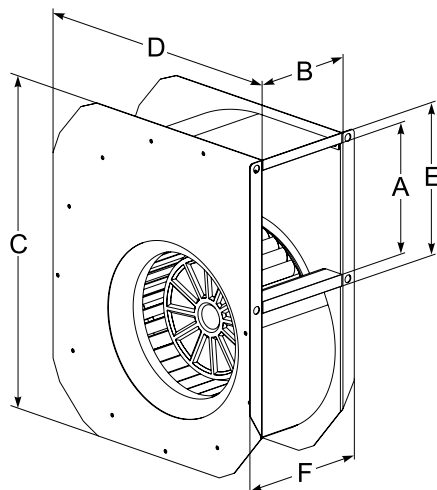
Крыльчатка: загнутые вперёд лопасти, оцинкованная сталь.

Двигатель: наружный ротор, прямая передача, встроенная термодатная защита двигателя, не требующие ухода подшипники с длительным сроком службы.

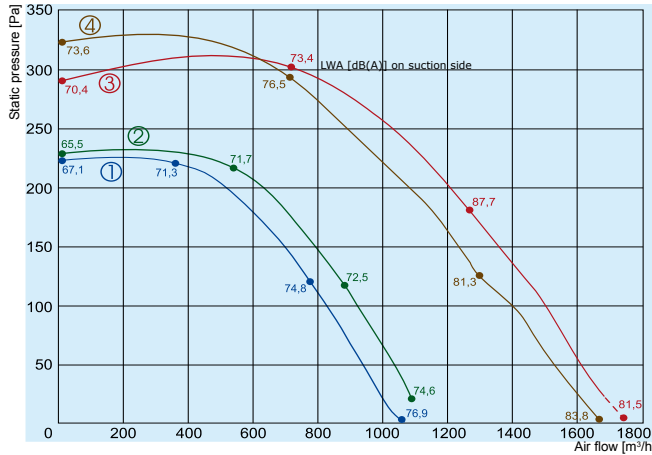
Корпус: оцинкованная жёсть.

Accessories

TGRV
p. 185TGRT
p. 186MTY
p. 188



Type	Dimensions [mm]					
	A	B	C	D	E	F
VR 200-4 L1/L3	156	125	395	330	182	165
VR 225-4 L1/L3	168	139	420	354	195	179
VR 250-4 L1/L3	200	161	475	395	228	213
VR 280-4 L1/L3	207	183	515	436	238	223
VR 315-4 L1/L3	250	200	594	493	273	240
VR 355-4 L3	280	220	668	550	309	272
VR 400-4 L3	313	246	749	617	349	298



- ① VR 200-4 L1
- ② VR 200-4 L3
- ③ VR 225-4 L1
- ④ VR 225-4 L3

		200-4 L1	200-4 L3	225-4 L1	225-4 L3
Voltage/Frequency	[V/Hz]	230/50	400/50	230/50	400/50
Power consumption	[kW]	0,36	0,31	0,51	0,56
Current	[A]	1,8	0,51	2,3	0,95
Speed	[min ⁻¹]	1180	1230	1250	1270
Max. airflow	[m³/h]	1075	1092	1650	1665
Max. air temperature	[°C]	40	70	40	40
Total sound pressure level at 1 m	[dBA]	64	63	66	69
Speed controller		TGRV1,5 / MTY2	TGRT1	TGRV3 / MTY4	TGRT2
Weight	[kg]	7,8	7	9	9
Wiring diagram		No.1	No.2	No.1	No.2
Protection class:	motor	IP-54	IP-54	IP-54	IP-54
	terminal box	IP-55	IP-55	IP-55	IP-55

200-4 L1

	Lpa dB(A)	Lwa total dB(A)	Lwa, dB(A)							
			100 Hz	125 Hz	250 Hz	500 Hz	1 kHz	2 kHz	4 kHz	5 kHz
Inlet	63	70	51	49	57	57	62	61	56	56
Outlet	64	71	44	44	53	58	65	59	57	57
Casing break out	54	61	47	42	38	47	57	47	43	43

Measured at 365 m3/h, 222 Pa

200-4 L3

	Lpa dB(A)	Lwa total dB(A)	Lwa, dB(A)							
			100 Hz	125 Hz	250 Hz	500 Hz	1 kHz	2 kHz	4 kHz	5 kHz
Inlet	61	68	34	39	53	52	59	55	53	50
Outlet	63	70	32	38	51	57	63	58	55	55
Casing break out	46	53	18	23	37	46	46	44	38	39

Measured at 497 m3/h 210 Pa

225-4 L1

	Lpa dB(A)	Lwa total dB(A)	Lwa, dB(A)							
			100 Hz	125 Hz	250 Hz	500 Hz	1 kHz	2 kHz	4 kHz	5 kHz
Inlet	65	72	50	44	50	61	63	59	57	55
Outlet	66	73	51	45	51	63	67	61	60	59
Casing break out	59	66	47	39	43	56	63	53	50	48

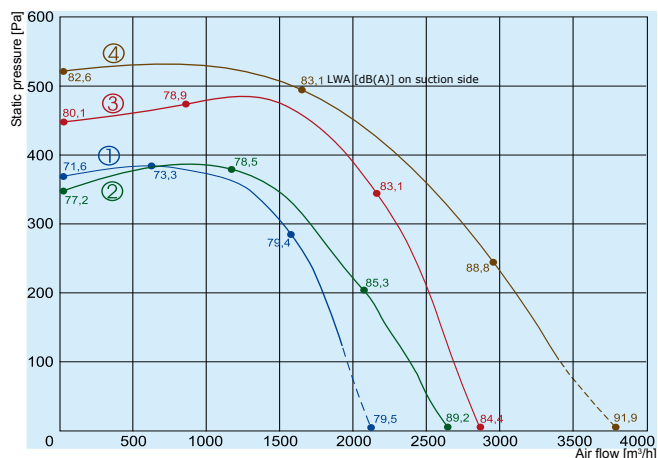
Measured at 673 m3/h, 306 Pa

225-4 L3

	Lpa dB(A)	Lwa total dB(A)	Lwa, dB(A)							
			100 Hz	125 Hz	250 Hz	500 Hz	1 kHz	2 kHz	4 kHz	5 kHz
Inlet	66	73	44	52	55	59	64	65	61	62
Outlet	69	76	40	48	54	64	70	65	63	63
Casing break out	55	62	30	37	40	52	54	50	49	49

Measured at 732 m3/h, 289 Pa

The fan characteristic curves were determined in accordance with DIN 24163 resp. ISO 5801. The sound power levels were determined in accordance with DIN 45635 resp. ISO 3744 at a distance of 1 m from the fan



- ① VR 250-4 L1
- ② VR 250-4 L3
- ③ VR 280-4 L1
- ④ VR 280-4 L3

		250-4 L1	250-4 L3	280-4 L1	280-4 L3
Voltage/Frequency	[V/Hz]	230/50	400/50	230/50	400/50
Power consumption	[kW]	0,69	0,93	1,15	1,5
Current	[A]	3,0	1,9	5,1	2,6
Speed	[min ⁻¹]	1190	1380	1210	1310
Max. airflow	[m³/h]	1885	2645	2885	3805
Max. air temperature	[°C]	40	50	40	40
Total sound pressure level at 1 m	[dBA]	68	72	72	76
Speed controller		TGRV4 / MTY4	TGRT2	TGRV7	TGRT3
Weight	[kg]	14,5	14,5	20	19,4
Wiring diagram		No. 1	No. 2	No. 1	No. 2
Protection class:	motor	IP-54	IP-54	IP-54	IP-54
	terminal box	IP-55	IP-55	IP-55	IP-55

250-4 L1

	Lpa dB(A)	Lwa total dB(A)	Lwa, dB(A)							
			100 Hz	125 Hz	250 Hz	500 Hz	1 kHz	2 kHz	4 kHz	5 kHz
Inlet	65	72	53	52	56	56	62	62	62	59
Outlet	68	75	51	51	55	62	67	63	64	60
Casing break out	61	68	43	42	51	50	58	47	46	47

Measured at 1034 m³/h, 370 Pa

250-4 L3

	Lpa dB(A)	Lwa total dB(A)	Lwa, dB(A)							
			100 Hz	125 Hz	250 Hz	500 Hz	1 kHz	2 kHz	4 kHz	5 kHz
Inlet	70	77	45	57	57	60	68	67	66	65
Outlet	72	79	42	54	57	65	71	67	67	66
Casing break out	62	69	35	43	50	54	63	60	56	56

Measured at 1180 m³/h, 377 Pa

280-4 L1

	Lpa dB(A)	Lwa total dB(A)	Lwa, dB(A)							
			100 Hz	125 Hz	250 Hz	500 Hz	1 kHz	2 kHz	4 kHz	5 kHz
Inlet	71	78	69	60	57	61	68	68	65	63
Outlet	72	79	68	59	57	65	70	67	66	64
Casing break out	58	65	58	48	51	52	58	52	49	45

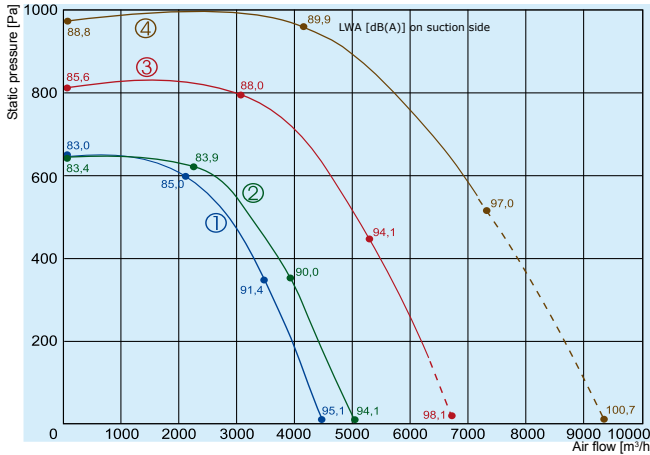
Measured at 878 m³/h, 474 Pa

280-4 L3

	Lpa dB(A)	Lwa total dB(A)	Lwa, dB(A)							
			100 Hz	125 Hz	250 Hz	500 Hz	1 kHz	2 kHz	4 kHz	5 kHz
Inlet	74	81	57	66	61	65	71	71	70	68
Outlet	76	83	53	64	61	69	74	72	71	69
Casing break out	61	68	36	46	50	52	61	60	55	53

Measured at 1654 m³/h, 495 Pa

The fan characteristic curves were determined in accordance with DIN 24163 resp. ISO 5801. The sound power levels were determined in accordance with DIN 45635 resp. ISO 3744 at a distance of 1 m from the fan



- ① VR 315-4 L1
- ② VR 315-4 L3
- ③ VR 355-4 L3
- ④ VR 400-4 L3

		315-4 L1	315-4 L3	355-4 L3	400-4 L3
Voltage/Frequency	[V/Hz]	230/50	400/50	400/50	400/50
Power consumption	[kW]	2,5	2,5	3,7	5
Current	[A]	11	4,1	6	8,1
Speed	[min ⁻¹]	1340	1300	1320	1330
Max. airflow	[m³/h]	4475	5060	6320	7150
Max. air temperature	[°C]	40	40	40	40
Total sound pressure level at 1 m	[dBA]	78	77	81	83
Speed controller		TGRV14	TGRT5	TGRT7	TGRT11
Weight	[kg]	30,7	26	40	51
Wiring diagram		No. 1	No. 2	No. 2	No. 2
Protection class:	motor	IP-54	IP-54	IP-54	IP-54
	terminal box	IP-55	IP-55	IP-55	IP-55

315-4 L1

	Lpa dB(A)	Lwa total dB(A)	Lwa, dB(A)							
			100 Hz	125 Hz	250 Hz	500 Hz	1 kHz	2 kHz	4 kHz	5 kHz
Inlet	76	83	60	66	59	64	75	73	72	70
Outlet	78	85	57	63	62	70	78	74	73	71
Casing break out	66	73	43	48	48	58	68	64	59	58

Measured at 2015 m3/h, 606 Pa

315-4 L3

	Lpa dB(A)	Lwa total dB(A)	Lwa, dB(A)							
			100 Hz	125 Hz	250 Hz	500 Hz	1 kHz	2 kHz	4 kHz	5 kHz
Inlet	75	82	59	65	59	64	74	71	71	69
Outlet	77	84	56	62	62	70	77	72	72	70
Casing break out	65	72	42	47	48	58	67	62	58	57

Measured at 2260 m3/h, 622 Pa

355-4 L3

	Lpa dB(A)	Lwa total dB(A)	Lwa, dB(A)							
			100 Hz	125 Hz	250 Hz	500 Hz	1 kHz	2 kHz	4 kHz	5 kHz
Inlet	77	84	63	64	66	68	78	75	71	70
Outlet	81	88	61	63	68	74	81	77	75	73
Casing break out	63	70	46	45	56	60	66	61	57	54

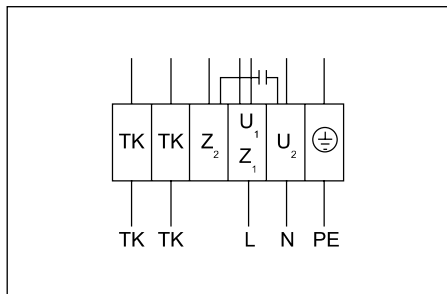
Measured at 3083 m3/h, 797 Pa

400-4 L3

	Lpa dB(A)	Lwa total dB(A)	Lwa, dB(A)							
			100 Hz	125 Hz	250 Hz	500 Hz	1 kHz	2 kHz	4 kHz	5 kHz
Inlet	84	91	64	67	72	77	85	80	79	76
Outlet	83	90	64	68	69	75	83	79	77	75
Casing break out	72	79	47	50	53	59	75	68	62	59

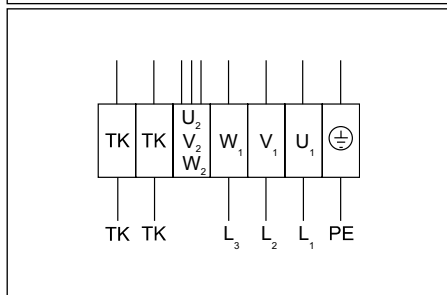
Measured at 4152 m3/h, 959 Pa

The fan characteristic curves were determined in accordance with DIN 24163 resp. ISO 5801. The sound power levels were determined in accordance with DIN 45635 resp. ISO 3744 at a distance of 1 m from the fan



Wiring diagram No. 1 (1~230V)

- U₁ - brown
- U₂ - blue
- Z₁ - black
- Z₂ - orange
- TK - white
- PE - yellow-green



Wiring diagram No. 2 (3~400V)

- U₁ - brown
- U₂ - red
- V₁ - blue
- V₂ - grey
- W₁ - black
- W₂ - orange
- TK - white